

REPLACEMENT PARTS – FX SERIES ONLY



Serial Number Label

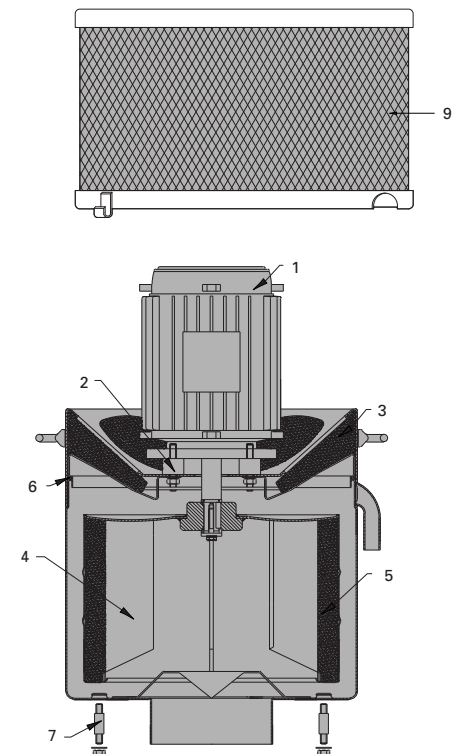
Royal Products offers a full array of replacement parts for all Filtermist models. When ordering replacement parts, it is very important that you identify the correct series and model. The series is determined by the color of the serial number label, located on the upper portion of the housing near the motor. The color code is as follows:

- Series 6 — Black label, silver text.
- Series 7 — Yellow label, black text.
- Series 8 — White label, black text.
- FX Series — Blue label, white text.

On this unit, the white label with the black text indicates a series 8 model.

FX Series Only

Item No.	Description	Filtermist Model	Blue Label (FX Series)
1	Motor	FX-275	30450
		FX-550	30450
		FX-600	30452
		FX-900	30454
		FX-1200	30454
2	Motor Mount Set Includes four mounts and required hardware.	FX-275	30440
		FX-550	30440
		FX-600	30442
		FX-900	30442
		FX-1200	30442
3	Silencer	FX-275	30420
		FX-550	30420
		FX-600	30422
		FX-900	30422
		FX-1200	30422
4	Drum	FX-275	30460
		FX-550	30466
		FX-600	30462
		FX-900	30462
		FX-1200	30464
5	Drum Pads (set of 4)	FX-275	30410
		FX-550	30416
		FX-600	30412
		FX-900	30412
		FX-1200	30414
6	Housing Seal	FX-275	30430
		FX-550	30430
		FX-600	30432
		FX-900	30432
		FX-1200	30432
7	Direct Mounting Kit Includes collar seal, mounts, and required hardware.	FX-275	N/A
		FX-550	N/A
		FX-600	30300
		FX-900	30302
		FX-1200	30304
8	Complete Maintenance Kit Includes items 2, 3, 5 and 6..	FX-275	30400
		FX-550	30406
		FX-600	30402
		FX-900	30402
		FX-1200	30404
9	Complete After Filter Fits over the Filtermist motor. Includes 1-pc. housing/filter element, and toggle clips.	FX-275	30200
		FX-550	30200
		FX-600	30205
		FX-900	30205
		FX-1200	30205



Note — The parts on this page are for Filtermist FX Series models with a blue serial number label. If you have an older model Filtermist unit with a white, yellow, or black serial number label, please see page 152.

For all other replacement parts, please contact us at 1-800-645-4174.

REPLACEMENT PARTS – OLDER MODELS

Series 6, 7, and 8 (Pre-2004)

Item No.	Description	Filtermist Model	White Label (Series 8)	Yellow Label (Series 7)	Black Label (Series 6)
1	Motor	F-275	R33-1439-926	R33-1439-926	R33-1439-926
		F-600	R35L234-672	R35L234-672	R35L234-672
		F-900	R35L234-863	R35L234-863	R35L234-863
		F-1200	R35L234-863	N/A	N/A
2	Motor Mount Set Includes four mounts and required hardware.	F-275	28195	28195	28195
		F-600	28198	28198	28198
		F-900	28198	28198	28198
		F-1200	28198	N/A	N/A
3	Silencer	F-275	28182	28182	28182
		F-600	28181N	28181N	N/A
		F-900	28181N	28181N	N/A
		F-1200	28181N	N/A	N/A
4	Drum	F-275	28013	28013	28013
		F-600	28167	28167	28167
		F-900	28167	28166	28166
		F-1200	28166	N/A	N/A
5	Drum Pads (set of 4)	F-275	28214	28214	28214
		F-600	28209	28212	28212
		F-900	28209	28210	28210
		F-1200	28207	N/A	N/A
6	Housing Seal	F-275	28176	28176	28179
		F-600	28178N	28178N	28178
		F-900	28178N	28178N	28178
		F-1200	28178N	N/A	N/A
7	Direct Mounting Kit Includes collar seal, mounts, and required hardware.	F-275	N/A	28194	28194
		F-600	28205	28203	28203
		F-900	28203	28203	28203
		F-1200	28201	N/A	N/A
8	Complete Maintenance Kit Includes items 2, 3, 5 and 6.	F-275	28008	28008	N/A
		F-600	28015	28007	N/A
		F-900	28015	28006	N/A
		F-1200	28017	N/A	N/A
9	Complete After Filter Fits over the Filtermist motor. Includes housing, filter element, and toggle clips.	F-275	28158	28158	28158
		F-600	28164	28164	28164
		F-900	28164	28164	28164
		F-1200	28164	N/A	N/A
10	After Filter — Replacement Element Only	F-275	28159	28159	28159
		F-600	28165	28165	28165
		F-900	28165	28165	28165
		F-1200	28165	N/A	N/A
11	Drum Puller	All Units	28014	28014	28014

For all other replacement parts, please contact us at 1-800-645-4174.

Note — The parts on this page are for older series Filtermist units sold thru mid 2004. See page 151 for Filtermist FX Series components.

